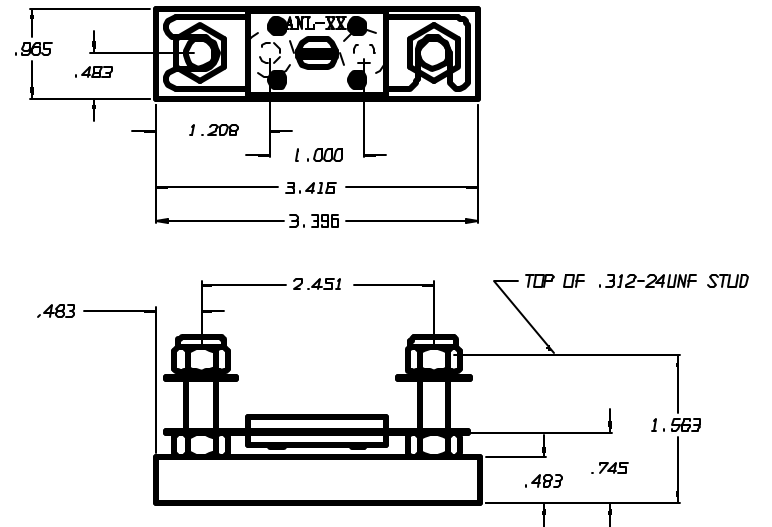


NOTE: THE CURRENT LIMITER AND CURRENT SENSOR ARE INSTALLED ON THE FORWARD SIDE OF THE FIREWALL.



COMPONENTS TO INSTALL