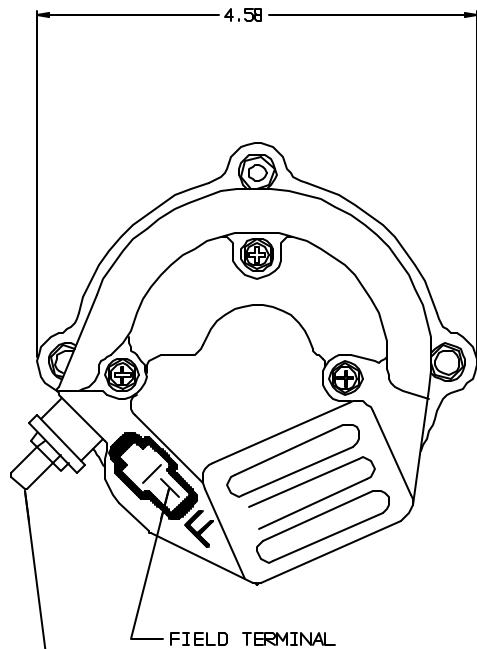
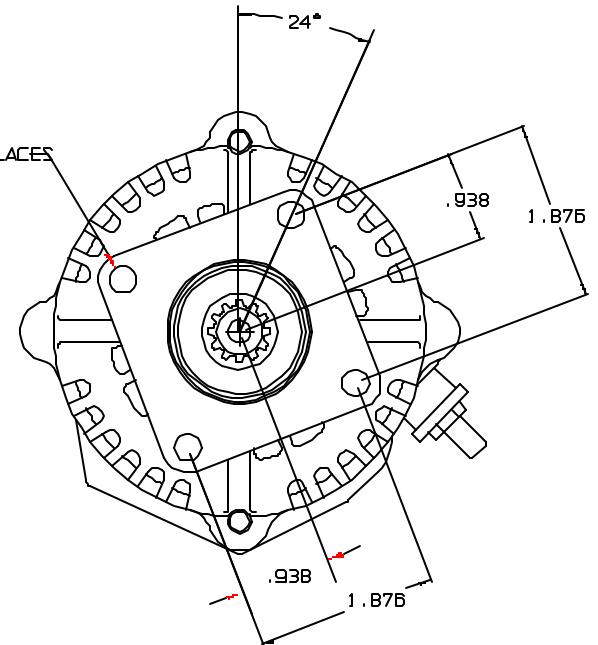
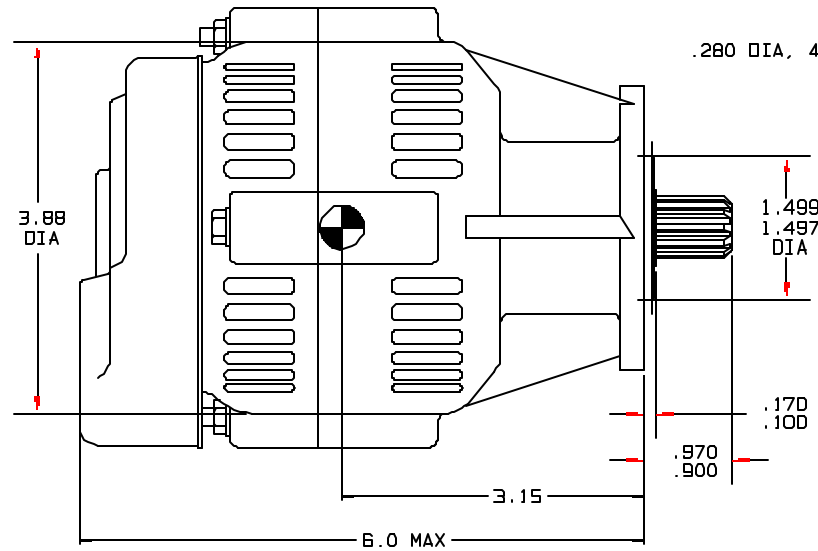


REV	DATE	DESCRIPTION
A	8/26/97	ADDED 24 DEG DIMENSION
B	5/20/98	REMOVED SPLINE CALLOUT; ADDED 4.58 DIM & REF. NOTE
C	6/16/99	TBD WAS 1600 HRS.



FIELD TERMINAL
MAIN OUTPUT "B" TERMINAL
M5 X 1 THREAD



- NOTE: 1. ALL DIMENSIONS FOR REFERENCE ONLY
2. RECOMMENDED INTERVAL BETWEEN OVERHAUL IS 1700 HRS.

-1 ALTERNATOR 14/28V, 20 AMP

WEIGHT: 5.72 LBS.
MAX STATOR TEMP: 300°F
FOR USE ON AND20000 ACCESSORY PAD.
ALL DIMENSIONS ARE REFERENCE ONLY

	1	410-100-1	ALTERNATOR ASSY, 14/28V, 20A	
			-1 ALTERNATOR, 14/28V, 20A	
	-1	PART NO.	DESCRIPTION	
USED ON			B & C Specialty Products P.O. Box 8, Newton, Kansas 67114	
UNLESS OTHERWISE SPECIFIED			TITLE ENVELOPE DRAWING AIRCRAFT ALTERNATOR, 14/28 VOLT, 20 AMP	
DIMENSIONS ARE IN INCHES TOLERANCES ARE: DECIMAL D.XX = ± 0.03 DECIMAL 0.XXX = ± 0.010 ANGLES = 30.5 DEGREES			DRAWING NO. BC410	
ENGINEER	NAME	DATE	REVISION C	
DRAWN	NICKOLLS	8-31-95	DATE 6/16/99	
CHECKED	DLS	8-31-95		
PROJECT	TH	8/13/98	SCALE	JOB NO.
				SHEET 1 OF 1